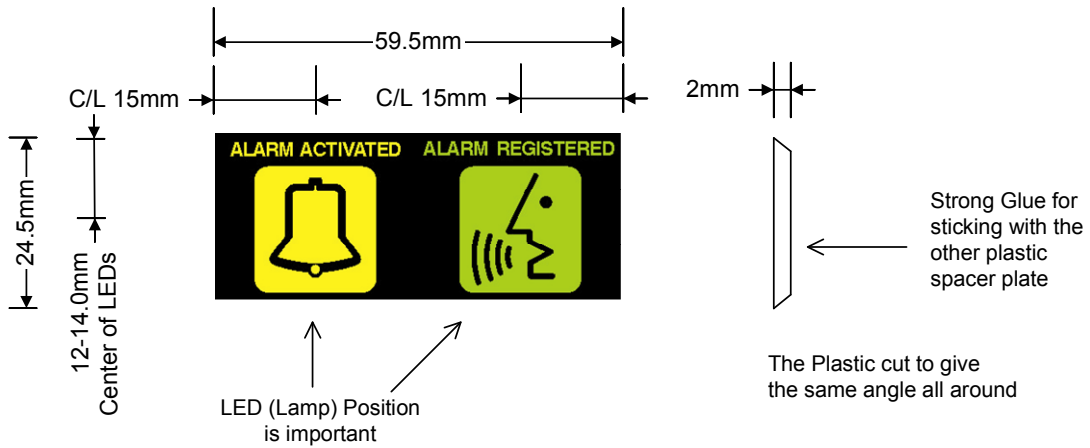


**Faceplate & Speaker Box  
assembly for the  
EN81-28 & 70 Requirement**

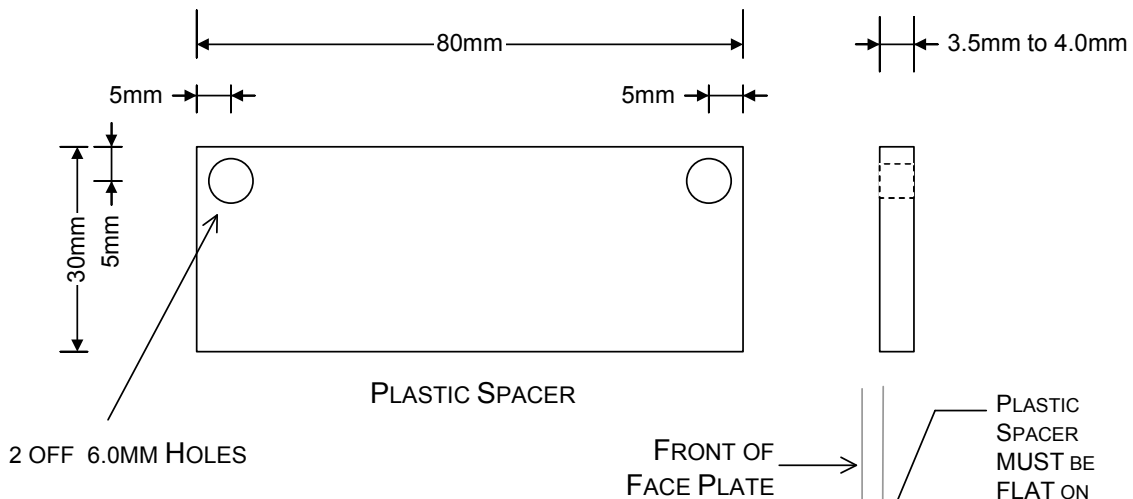
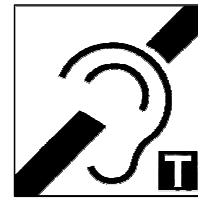
Drawing No: FP81 Issue No:7 Date:21/09/03

*Winderest* (UK) Ltd

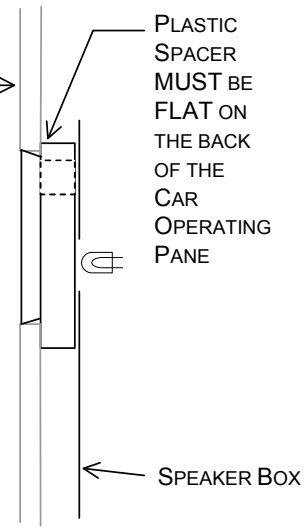
Tel: 0208 795 0333  
Fax: 0208 795 0444



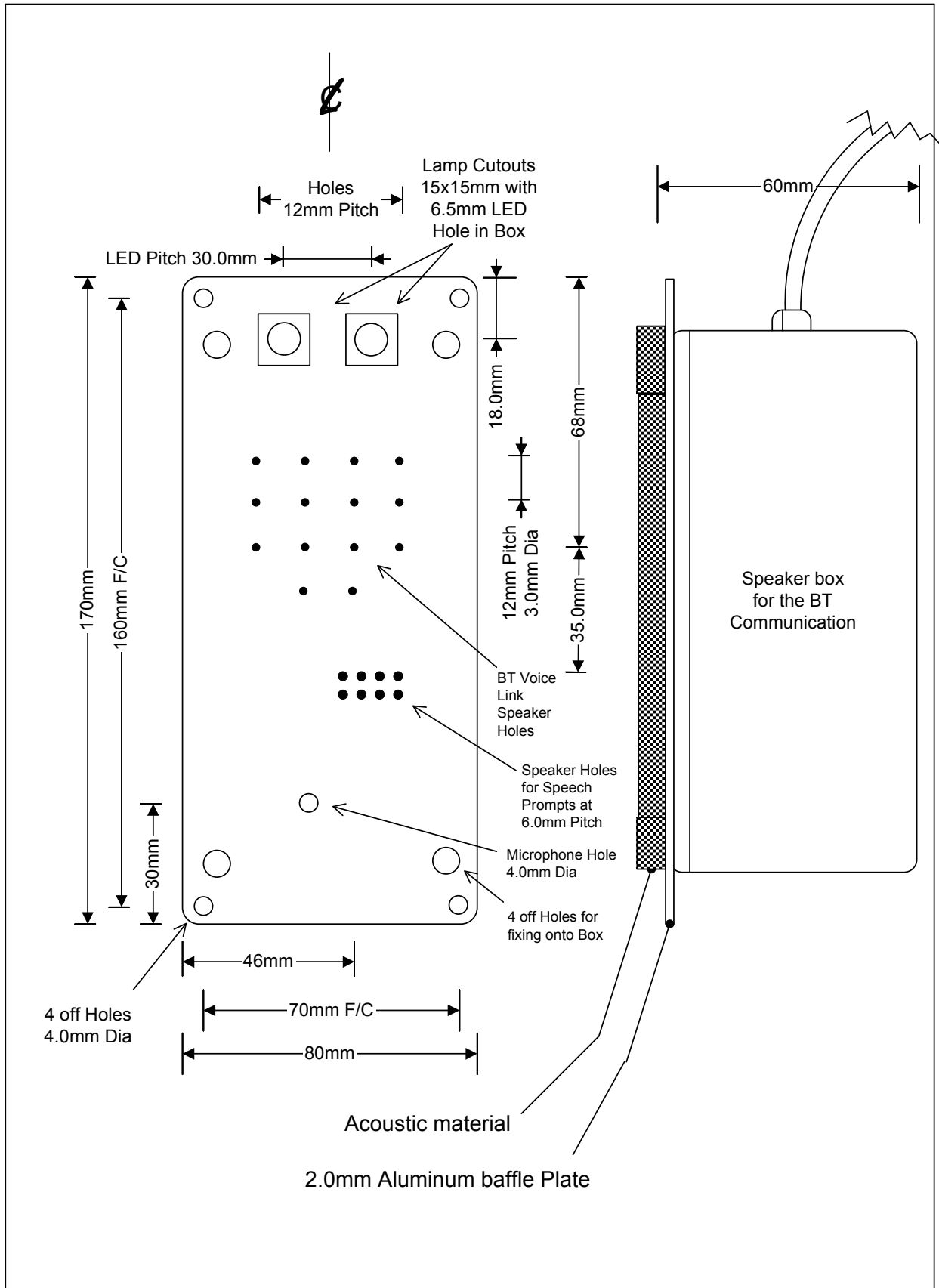
Solid Black Printing on a Yellow & Green Background to be transparent to the LED's light (High Contrast as required by EN81-70)



**Installing Pictogram on a new Car Operating Panel**  
 Mount the Plastic Spacer, FLAT, on the back of the Car Operating Panel (Note the Heads of the Studs) and then bolt the Speaker Box assembly. Once speaker box is bolted, and the plastic spacer is confirmed to be flat, stick the Pictogram from the Front.



<b>Plastic Label &amp; Plastic Spacer for the EN81-28 and 70 Faceplate</b>	Drawing No: FP81 Issue No:7 Date:21/09/03
	Tel: 0208 795 0333 Fax: 0208 795 0444



**Speaker box  
EN81-28 and 70 Baffle Plate**

Drawing No: FP81 Issue No:6 Date:11/09/03

*Winderest* (UK) Ltd

Tel: 0208 795 0333  
Fax: 0208 795 0444